



In Italy, it means beautiful view. To you, a wonderful place to regain relaxed, revitalized perspective.

WHIRLPOOL BATH FEATURES:

- 4 fully adjustable PowerPro® jets
- 4 AccuPro™ spinning neck jets
- 2 directionally adjustable AccuPro™ foot jets
- Sculpted armrest and contoured backrest
- Multi-speed motor
- Chromatherapy™ lighting system capable of 256 colors
- Wave Pulse™ system
- All-in-one electronic control panel
- Water-level sensor
- PrO<sub>3</sub>™ Ozone Sanitation System standard

*Detail: The Bellavista™ whirlpool bath's perfectly placed PowerPro® and AccuPro™ jets work in concert with a deeply contoured backrest to offer the ultimate in hydrotherapy.*



**Bellavista™ 5  
WHIRLPOOL BATH**

MODEL NUMBER:  
EE10

EXTERIOR DIMENSIONS:  
60" long x 42" wide x  
26" high

INTERIOR DIMENSIONS:  
38½" long x 23½" wide

# OF JETS/TYPE OF JETS:  
4 PowerPro® Jets  
4 AccuPro™ Neck Jets  
2 AccuPro™ Foot Jets

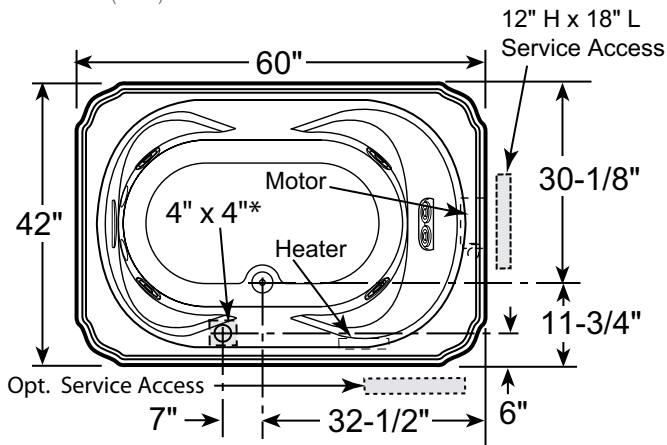
OPERATING GALLONS:  
80 gallons



# Bellavista™ 5 WHIRLPOOL BATH

**EE10** Bellavista™ 5 Whirlpool Bath, Right Hand

- Center Drain Location
- Accessories / Hardware:
  - PowerPro™ Jet Rings: #M952
  - AccuPro™ Neck Jet Rings Kit: #P556 (3 Required)
  - Oval Trim Kit: #N557
  - Rotary Drain Kit, 26" Cable: #8730
- Trim Kit Finishes Available:
  - (827) – Chrome
  - (898) – Brushed Chrome
  - (815) – Satin Nickel
  - (829) – Bright Brass
  - (805) – Platinum
  - (826) – Brushed Nickel
  - (849) – Oil Rubbed Bronze



**Product Shown: Bellavista™ 5 Whirlpool Bath Right Hand Shown, Model: EE10**

\* Measurements inside unit represent cutout in floor to allow for drain/overflow.

Minimum Service Access dimensions given.

## INSTALLATION NOTES

Refer to installation instructions included with fixture before beginning installation. Please confirm product availability and specifications before commencing with any installation work.

PRODUCT SPECIFICATIONS AND AVAILABILITY ARE SUBJECT TO CHANGE WITHOUT NOTICE.

## Technical Specifications

### DIMENSIONS

60" L x 42" W x 26" H  
(1524 mm) L x (1067 mm) W x (660 mm) H

### DRAIN/OVERFLOW

A: 20" (508 mm) B: 11-3/4" (298 mm)

### CUTOUT

Template Provided P/N P187000

### TOTAL WEIGHT

1026 lb (465 kg) / 59 lb/sq. ft. (288 kg/m<sup>2</sup>)

### OPERATING GALLONAGE

80 U.S. Gal. (303 Liters)

### PRODUCT WEIGHT

160 lb (50 kg)

### SKIRT MOUNTING

Not Available

### ELECTRICAL SPECIFICATIONS – Model EE15 only

Requires a dedicated GFCI protected separate circuit.

Motor/Pump: 120 VAC, 20 AMP, 60 Hz.

RapidHeat™: 120 VAC, 15 AMP, 60 Hz.

### HEATER (STANDARD) – Model EE15 only

Requires a dedicated GFCI protected separate circuit.

RapidHeat™: P/N S750000

